

4

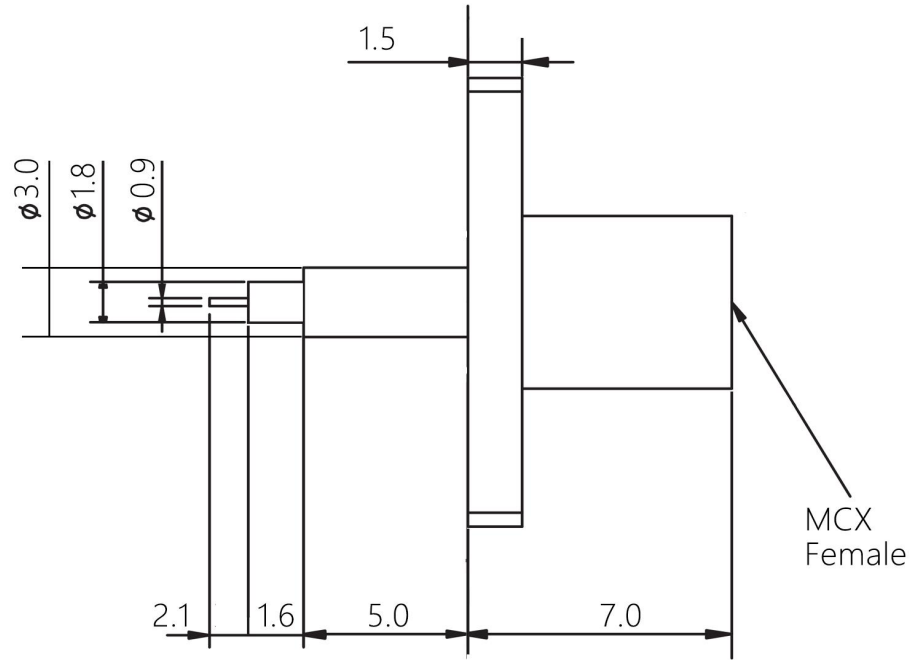
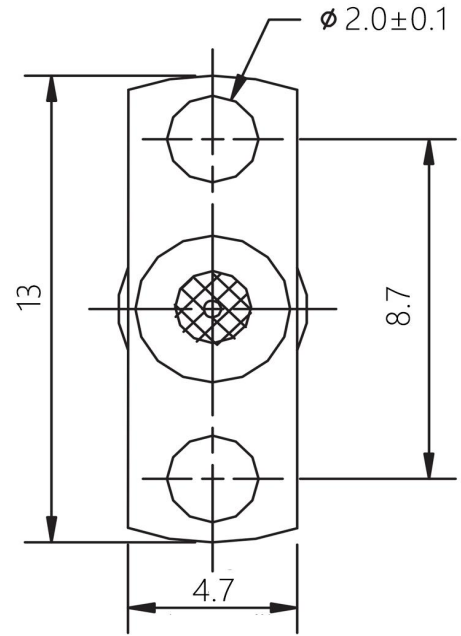
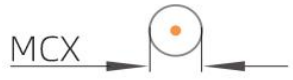
3

2

1

THIS DRAWING UNPUBLISHED.	RELEASED FOR PUBUCATION
---------------------------	-------------------------

LOC	DIST	REVISIONS					
---	---	P	LTR		DATE	DWN	APVD
		---	---	---	---	---	---





- NOTES:
- ELECTRICAL:
    - IMPEDANCE: 50Ω
    - INSULATION RESISTANCE: 5000M Ω
    - FREQUENCY RANGE: DC-6 GHz
    - DIELECTRIC WITHSTANDING VOLTAGE: 750V MAX AT SEA LEVEL
    - VSWR: ≤1.20:1
    - INSERTION LOSS: 0.25dB (MAX)

- ENVIRONMENTAL:
  - TEMPERATURE RANGE: -55° to +125°

- MATERIAL AND FINISH:
  - INNER CONDUCTOR MATERIAL: BERYLLIUM BRONZE GOLD PLATING
  - INSULATOR: PTFE
  - EXTERNAL CONDUCTOR MATERIAL: BRASS GOLD PLATING

Accept custom sizes and styles

THIS DRAWING IS A CONTROLLED DOCUMENT		21/10/2021	 Shenzhen xinqiyuan Technology Co., Ltd.	
		CHK		
DIMENSIONSMM		TOLERANCES UNLESS OTHERWISE SPECIFIED: ±0.1	NAME MCX Female RF Coaxial Connector Dielectric through	
		Note: Dimensions (mm / [inch])	APPLICATION SPEC	DRAWING NO XQY-MCXKFD6.5-1TB
			WEIGHT	
			SIZE A4	CAGE CODE 01021

4

3

2

1

D

C

B

A

D

C

B

A